

COMMON
P3
CONFIG.

MVP IDENTIFICATION GUIDE (MVP13 - MVP50)



SOLENOID



SD
TWO-STEP SOLENOID



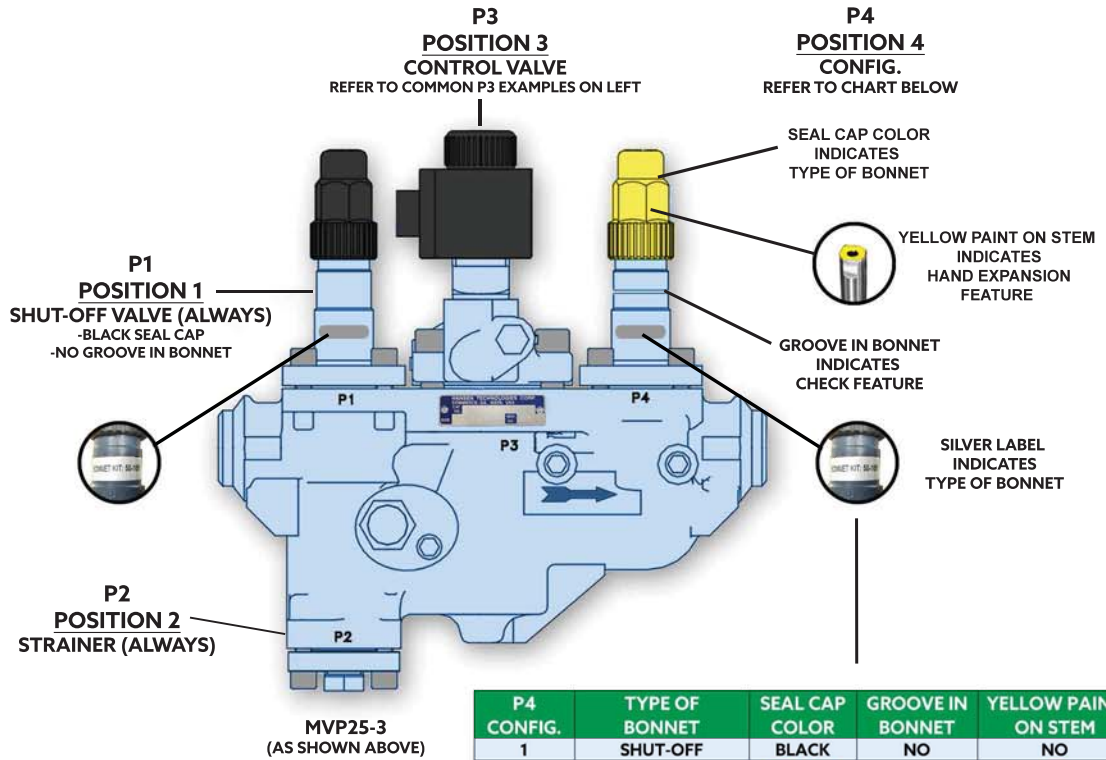
A
PRESSURE REGULATOR



AS
ELECTRIC SHUT-OFF



AB
ELECTRIC WIDE
OPENING



MVP25-3
(AS SHOWN ABOVE)

P4 CONFIG.	TYPE OF BONNET	SEAL CAP COLOR	GROOVE IN BONNET	YELLOW PAINT ON STEM
1	SHUT-OFF	BLACK	NO	NO
2	HAND EXPANSION	YELLOW	NO	YES
3	STOP-CHECK / HEV	YELLOW	YES	YES
4	STOP-CHECK	GREEN	YES	NO
5	CHECK	FLAT COVER IN P4		
6	BLANK	COVER IN P4 WITH RAISED HEX PATTERN ON TOP		
7	MCV	MOTORIZED CONTROL VALVE IN P4		

NAME PLATE CODING



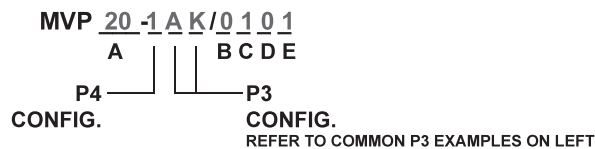
AD
DUAL REGULATOR



AK
RESEATING RELIEF
REGULATOR



EXAMPLE:



AO
OUTLET PRESSURE
REGULATOR



MCV
MOTORIZED
CONTROL VALVE

MVP13 - MVP50 CODING TABLE					
A MODEL CODE	P4 CONFIG.	B PORT SIZE	C CONTROL MODULE RANGE	D CONNECTION SIZE	E CONNECTION STYLE
13 (1/2")	1 Shut-Off	1 (1/2")	0 (Solenoid)	1 (1/2")	1 (SW)
20 (3/4")	2 HEV	0 (3/4")	1 (Range A)	0 (3/4")	2 (BW)
25 (1")	3 Stop-Check/HEV	2 (1")	3 (Range B)	2 (1")	3 (ODS)
32 (1 1/4")	4 Stop-Check	3 (1 1/4")		3 (1 1/4")	
40 (1 1/2")	5 Check	4 (1 1/2")		4 (1 1/2")	
50 (2")	6 Blank	5 (2")		5 (2")	
	7 MCV	A - 25% Capacity B - 50% Capacity		6 (2 1/2")	

COMMON
P2
CONFIG.

MVP IDENTIFICATION GUIDE (MVP65 - MVP100)



SOLENOID



A
PRESSURE REGULATOR



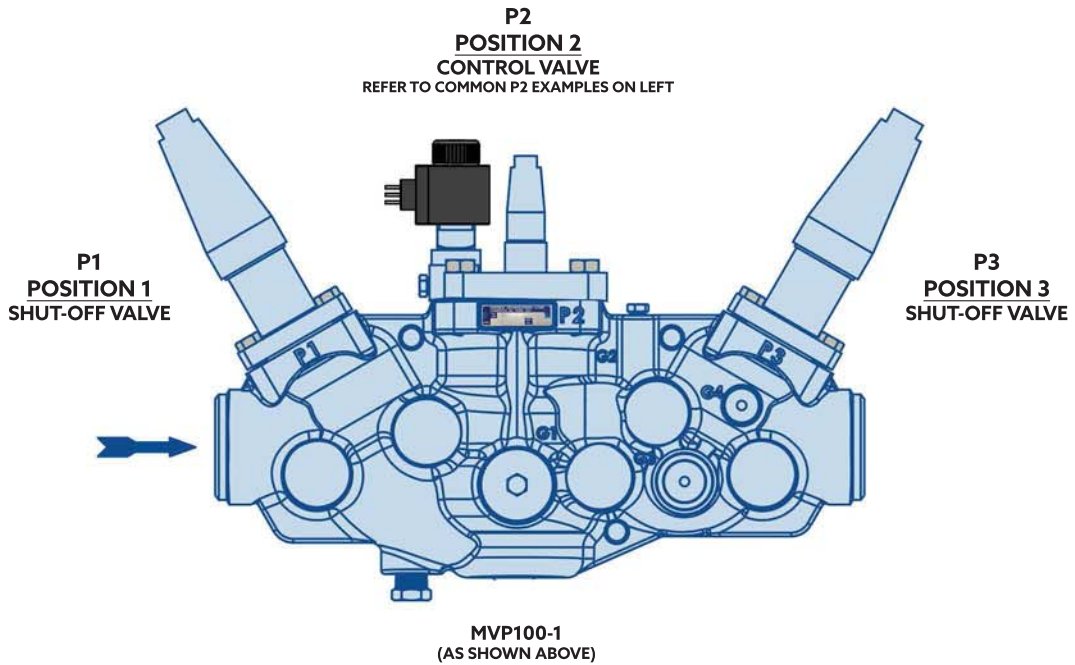
AS
ELECTRIC SHUT-OFF



AB
ELECTRIC WIDE OPENING



AD
DUAL REGULATOR



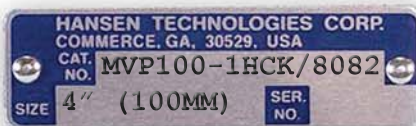
NAME PLATE CODING



MCV
MOTORIZED
CONTROL VALVE



HCK
TWO-STEP
SUCTION STOP
VALVE



EXAMPLE:

MVP100-1HCK/8082

A B C D E

P3 P2

CONFIG. CONFIG.

REFER TO COMMON P2 EXAMPLES ON LEFT

MVP65 - MVP100 CODING TABLE					
A MODEL CODE	P3 CONFIG.	B PORT SIZE	C CONTROL MODULE RANGE	D CONNECTION SIZE	E CONNECTION STYLE
65 (2½")	1 Shut-Off	7 (3")	0 (Solenoid)	6 (2-½")	2 (BW)
80 (3")		8 (4")	1 (Range A)	7 (3")	
100 (4")		A - 25% Capacity B - 50% Capacity	3 (Range B)	8 (4")	